



# Pro Lights W2 BEE EYE Wash

**Focus. Rotation**  
**19pcs 40 W 4-in-1**



CEV1P20 LE0-0.2m t40°C te150°C

## Instructions

**Please read the instructions carefully before using the product and keep it properly.**

## **1.Remove the packaging**

Thank you for choosing to use our 19 head-shaking dyeing beam lamps. For the correct and safe use of this product, please read the instructions carefully before installing and using this product. This manual contains important installation and application information. When installing and operating the product, please strictly follow the operating steps in the manual. At the same time, please keep this manual properly.

The 19 head-shaking dyeing beam lamps of our company use a new type of beautiful high temperature resistant engineering plastic shell and high hardness metal body. This product is designed and produced in strict accordance with the CE standard and conforms to the DMX512 signal protocol of the international standard. It can be used alone or online. It has the characteristics of fast rotation, low noise and powerful functions. It is suitable for small and medium-sized concerts, theatres, studios, nightclubs and bars.

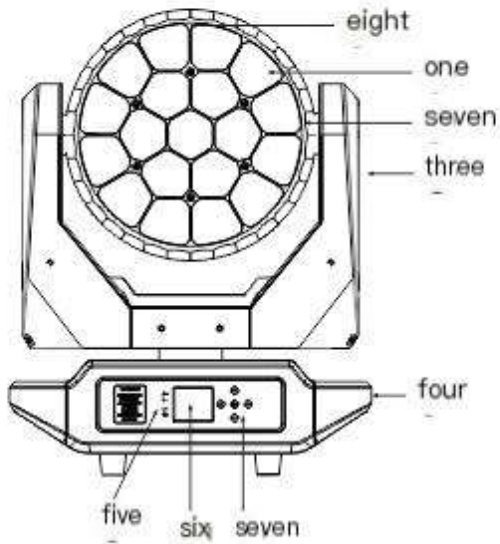
This product uses 19 40 W 4-in-1 lamp beads with high brightness and stability. Please carefully remove the package, check whether the product is damaged during transportation after the package is removed, and check whether the following contents are complete.

Shaking head dyeing lamp -- 1 signal line -- 1

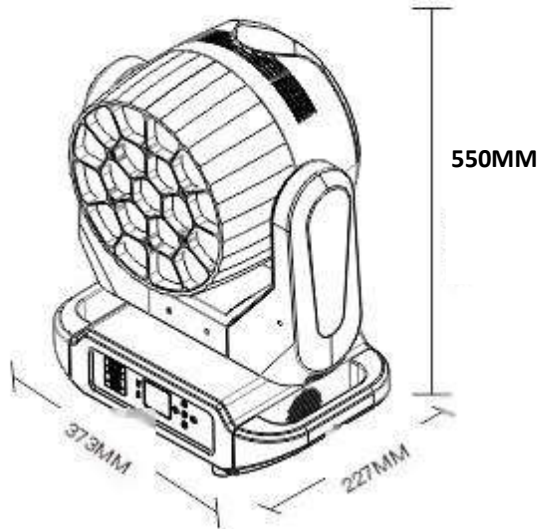
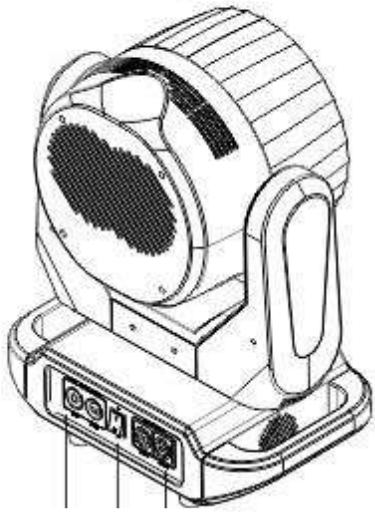
Quickly lock --

Power cord -- 1 lifting ring -- 1

## 2. Product Introduction




- 1: Lens
- 2: Lamp head
- 3: Arm
- 4: Base
- 5: Signal lights
- 6: Display screen
- 7: Button area
- 8: Lens disk
- 9: Power socket
- 10: Power switch
- 11: Signal stand



### 3. Safety instructions

This product is in good condition before delivery. In order to keep the product in good condition and ensure safe operation, the user should follow the safety precautions and the warnings in this manual.

 **IMPORTANT:** Damage caused by not following this instruction is not covered by warranty. The Supplier shall not be responsible for any product problems arising therefrom.

If the product has been exposed to extreme and unstable temperatures (e.g., after shipping), do not immediately connect the product to the power supply, as water droplets due to temperature changes may damage the product. Please use the product after it returns to normal temperature.

This product can be used in the voltage range of 90-240 V and is a product for indoor use. Please make sure that the ground voltage is not higher than the range that the product can bear! The power plug must be plugged into a Class I socket with good protection. The green or teal conductor must be grounded.

Always check the power cord for this product level. Make sure that the power cord is not folded or damaged, scratched, or connected to other cords! Pay special attention when connecting the power cord or related wiring. Always unplug the product when not in use or before cleaning.

Before using the product, please familiarize yourself with its operating functions. Please do not allow children or unprofessional personnel to touch the product.

Do not shake the product. Do not use brute force when installing or operating the product. Do not allow unprofessional personnel to operate the product. Most of the damage is due to unprofessional handling.

The product is not equipped with relevant maintenance accessories. The maintenance and repair of the product can only be carried out by professionals!

Please do not tamper with the product, otherwise it may be damaged and the resulting damage is not covered by the warranty. Moreover, unprofessional operation may cause short circuit, burn or electric shock, etc.

### 4. Operating instructions

This product is a head-shaking dyeing beam lamp, which is used to create the effect of dyeing performance.

-- If the product has experienced a large temperature difference (for example, after transportation), do not start the product immediately, because hot and cold shrinkage will damage the product. Please wait until the device reaches normal room temperature before starting the product.

-- Pay attention to earthquake prevention. Avoid strong collision during product installation.

-Please do not lift the entire product through the lamp head, as the mechanical properties of the device may be damaged.

-When choosing the installation site, please make sure that the product is not exposed to excessive heat, humidity or dust. Do not place any wires on the ground, or you may be exposed to the risk of electric shock.

-- Before installing the product, make sure that the installation point is secure

-Please attach the product to the safety rope and check whether all the screws are correct during installation.

-- Please make sure the lens is in good condition. When the lens is damaged or scratched, replace the lens.

-It is recommended that the product be operated by technicians who are familiar with the product. It is forbidden to operate this equipment by non-technical personnel, because many losses are the result of non-professional operation.

-Please keep the packing materials properly in case of secondary transportation.

-- Do not change the product without the guidance of the manufacturer or distributor.

--Any equipment failure caused by operating and using the equipment not in accordance with the instructions shall not be covered by the warranty. Moreover, any accidents caused by short circuit, injury, electric shock, ultraviolet rays, bulb explosion, etc. Are not covered by the warranty.

## 5. Product hanging and installation

Note: For greater safety, hang the product away from walkways, seating areas, or areas within easy reach.

Before hanging the product, please make sure that the mounting point can bear 10 times the weight of the product.

The product must be installed with a double protection device, such as a safety rope.

Do not stand under the mounting point when hanging, removing, or servicing the product

Make sure the product is installed at least 0.5 meters away from flammable materials.

Please remember to use the safety rope as a safety guarantee to prevent accidents when the lock is loosened.

**Lifting point: The installation personnel must be experienced in the requirements of top hanging, including the calculation of load-bearing requirements, the installation materials used, and the periodic inspection of the safety conditions of the installation materials and products. If you lack this knowledge, do not attempt to install it yourself. If it is not operated correctly, it may cause serious consequences such as personal injury.**

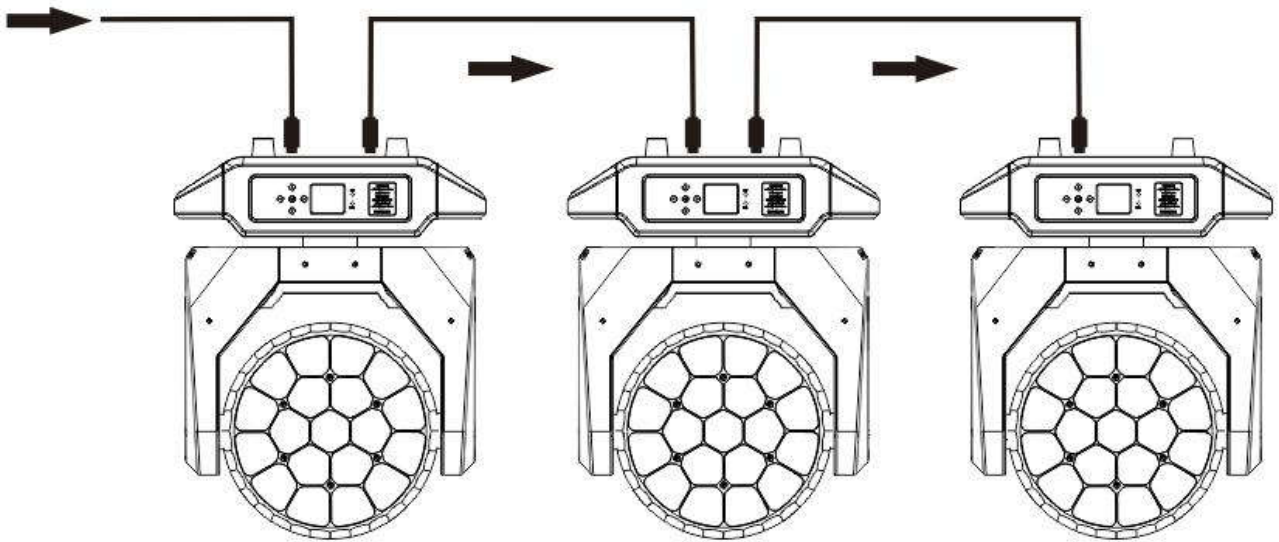
Make sure that all required hanging and installation steps are completed before the product is powered on.

**Quick locking hanger: The bottom of this product has specially designed professional hangers, including quick locking hangers and safety rope hanging points (please refer to the figure below).**

When hanging the product on the truss, please remember to use the appropriate quick lock, fix it to the quick lock hanger position of the product, and use the M10 screw to hang it. In order to further ensure safety, please install the safety rope at the hanging point of the safety rope at the bottom of the product and fix it on the truss. Regardless of the type of sling you choose, remember to use a safety rope. The bottom of the product is equipped with a special safety rope hanging point, please refer to the figure above, and please remember to use the special safety rope hanging point, do not install the safety rope in the handle position.

## UNK1 DMX-512 Connection

Please insert the male of the XLR signal line equipped with this product into the signal output port of the controller, and insert the female into the signal input port on the rear plate of this product. You can connect multiple products in series, and the signal line needs to be three-core, shielded, with XLR input and output heads. Refer to the figure below.



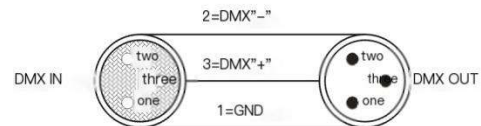
DMX Output  
3-Pin XLR  
Socket



DMX Input 3-Pin  
XLR Socket

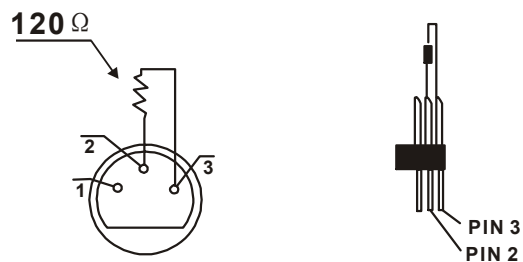


- 1: Ground
- 2: Data(-)
- 3: Data(+)



### DMX-512 connection with terminator (loop connection)

In the installation process, if the signal line is laid for a long distance, or in the noisy environment of electrical appliances, such as dance halls, it is recommended to use DMX terminator (loop connection). This can avoid digital control signal turbidity caused by electrical noise. The DMX terminator consists of simple XLR connectors 2-core and 3-core connected to a 120 ohm resistor. Please plug the terminator into the XLR output port of the last product. Please refer to the figure below.



## 23 channel mode

passage way	function	DMX value	describe
one	X-axis	0-255	0-540 degrees
two	X-axis fine-tuning	0-255	16 bit adjustable
three	Y-axis	0-255	0-205 degrees
four	Y-axis fine-tuning	0-255	16 bit adjustable
five	XY speed	0-255	Speed from fast to slow
six	focusing	0-255	The angle increases from small to large
seven	rotate	0-127	0~60 degrees
		128-191	From fast to slow, there is a seamless transition to smooth
		200-255	From slow to fast, continuously reversing
eight	Total dimming	0-255	Linear dimming from dark to bright
nine	Strobe light	0-3	Light up
		4-255	Synchronous strobe speed from slow to fast (1HZ-25HZ)
ten	R dimming	0-255	Linear dimming from dark to bright
eleven	G dimming	0-255	Linear dimming from dark to bright
twelve	B dimming	0-255	Linear dimming from dark to bright
thirteen	W dimming	0-255	Linear dimming from dark to bright
fourteen	Color temperature	0-255	Linear color temperature adjustment
fifteen	dyeing	0-255	Built in color selection, 4 to 1 combination colors
sixteen	Static effect	0-255	7 counts, one effect
seventeen	Dynamic effects	0-255	3 counts, one effect
eighteen	Dynamic effect speed	0-255	From slow to fast (with 15 channels)
nineteen	Background color R	0-255	Linear dimming from dark to bright
twenty	Background color G	0-255	Linear dimming from dark to bright
twenty-one	Background color B	0-255	Linear dimming from dark to bright
twenty-two	Background color W	0-255	Linear dimming from dark to bright
twenty-three	reset	0-250	No functionality
		251-255	The reset of the lamp body is effective for 5 seconds

## 25-channel mode

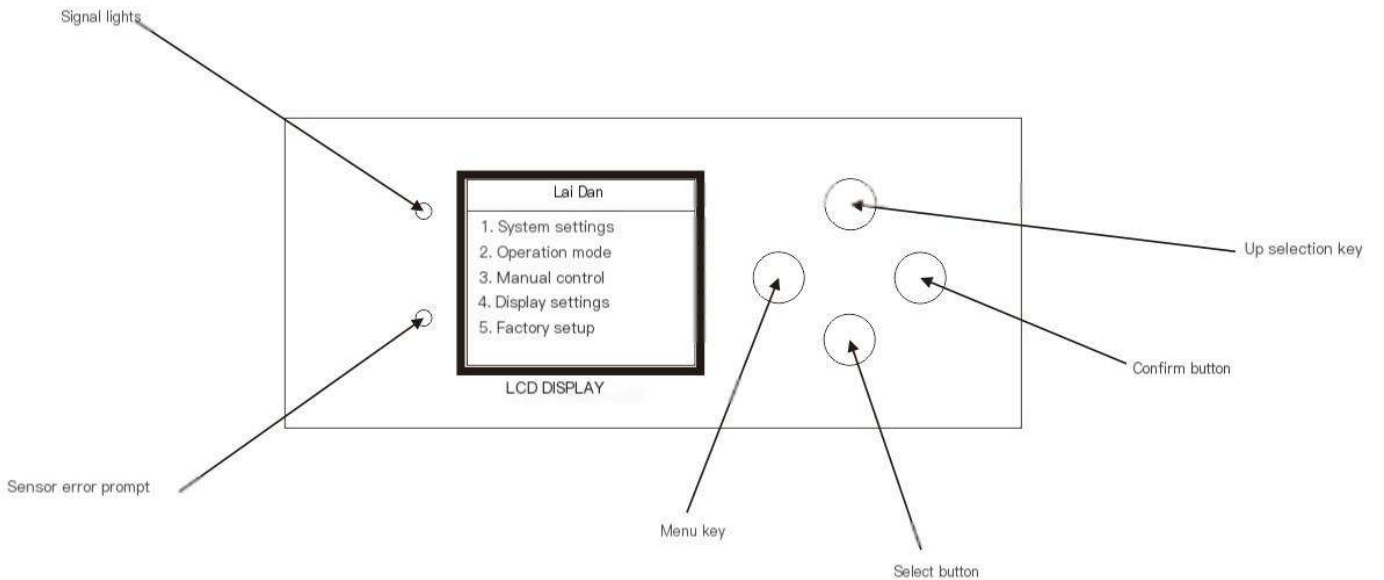
passage way	function	DMX value	describe
one	X-axis	0-255	0-540 degrees
two	X-axis fine-tuning	0-255	16 bit adjustable
three	Y-axis	0-255	0-205 degrees
four	Y-axis fine-tuning	0-255	16 bit adjustable
five	XY speed	0-255	Speed from fast to slow
six	focusing	0-255	The angle increases from small to large
seven	rotate	0-127	0~60 degrees
		128-191	From fast to slow, there is a seamless transition to smooth
		200-255	From slow to fast, continuously reversing
eight	Total dimming	0-255	Linear dimming from dark to bright
nine	Strobe light	0-3	Light up
		4-203	Synchronous strobe speed from slow to fast (1HZ-25HZ)
		204-255	Random flicker
ten	R dimming	0-255	Linear dimming from dark to bright
eleven	G dimming	0-255	Linear dimming from dark to bright
twelve	B dimming	0-255	Linear dimming from dark to bright
thirteen	W dimming	0-255	Linear dimming from dark to bright
fourteen	Color temperature	0-255	Linear color temperature adjustment
fifteen	dyeing	0-255	Built in color selection, 4 to 1 combination colors
sixteen	Pattern fading	0-255	Pattern effect fading
seventeen	Pattern translation	0-255	Pattern translation
eighteen	Static effect	0-255	7 counts, one effect
nineteen	Dynamic effects	0-255	3 counts, one effect
twenty	Dynamic effect speed	0-255	From slow to fast (with 15 channels)
twenty-one	Background color R	0-255	Linear dimming from dark to bright
twenty-two	Background color G	0-255	Linear dimming from dark to bright
twenty-three	Background color B	0-255	Linear dimming from dark to bright
twenty-four	Background color W	0-255	Linear dimming from dark to bright
twenty-five	reset	0-250	No functionality
		251-255	The reset of the lamp body is effective for 5 seconds

## 101 channel mode

passage way	function	DMX value	describe
one	X-axis	0-255	0-540 degrees
two	X-axis fine-tuning	0-255	16 bit adjustable
three	Y-axis	0-255	0-205 degrees
four	Y-axis fine-tuning	0-255	16 bit adjustable
five	XY speed	0-255	Speed from fast to slow
six	focusing	0-255	The angle increases from small to large
seven	rotate	0-127	0~60 degrees
		128-191	From fast to slow, there is a seamless transition to smooth
		200-255	From slow to fast, continuously reversing
eight	Total dimming	0-255	Linear dimming from dark to bright
nine	Strobe light	0-3	Light up
		4-203	Synchronous strobe speed from slow to fast (1HZ-25HZ)
		204-255	Random flicker
ten	R dimming	0-255	Linear dimming from dark to bright
eleven	G dimming	0-255	Linear dimming from dark to bright
twelve	B dimming	0-255	Linear dimming from dark to bright
thirteen	W dimming	0-255	Linear dimming from dark to bright
fourteen	Color temperature	0-255	Linear color temperature adjustment
fifteen	dyeing	0-255	Built in color selection, 4 to 1 combination colors
sixteen	Pattern fading	0-255	Pattern effect fading
seventeen	Pattern translation	0-255	Pattern translation
eighteen	Static effect	0-255	7 counts, one effect
nineteen	Dynamic effects	0-255	3 counts, one effect
twenty	Dynamic effect speed	0-255	From slow to fast (with 15 channels)
twenty-one	Background color R	0-255	Linear dimming from dark to bright
twenty-two	Background color G	0-255	Linear dimming from dark to bright
twenty-three	Background color B	0-255	Linear dimming from dark to bright
twenty-four	Background color W	0-255	Linear dimming from dark to bright
twenty-five	reset	0-250	No functionality
		251-255	The reset of the lamp body is effective for 5 seconds

Passage	Function	DMX value	Description
twenty-six	R1 LED dimming	0-255	Linear dimming from dark to light
twenty-seven	G1 LED dimming	0-255	Linear dimming from dark to light
twenty-eight	B1 LED dimming	0-255	Linear dimming from dark to light
twenty-nine	W1 LED dimming	0-255	Linear dimming from dark to light
...	.....	.....	.....
ninety-eight	R1 LED dimming	0-255	Linear dimming from dark to light
ninety-nine	G1 LED dimming	0-255	Linear dimming from dark to light
one hundred	B1 LED dimming	0-255	Linear dimming from dark to light
one hundred	W1 LED dimming	0-255	Linear dimming from dark to light

## 8.Menu diagram



## **Menu description**

### **1 System settings**

1. Confirm the modification of DMX address 002 by pressing the Enter key, press the Up/Down key to select the DMX address, confirm again, and return to exit.
2. When the encoder is closed, confirm the modification through the confirmation key, and then select Close/Open up and down, confirm again, and return to exit.
3. X Reverse Close Confirm the modification with the confirmation key, and then select Close/Open up and down, confirm again, and return to exit.
4. Y Reversal Close Confirm the modification with the confirmation key, and then select Close/Open up and down, confirm again, and return to exit.

### **2 Operation mode**

The operating mode DMX can be modified by pressing the Enter key. Press the Up/Down key to select the operating mode, and then press the Enter key to confirm and return to exit.

Channel selection 23CH/25CH/101CH

### **3 Manual setting**

1X\*\*\*\*\* 000

2X Fine adjustment \* \* \* \* \* 000

3Y\*\*\*\*\* 000

4Y fine adjustment \* \* \* \* \* 000

5 XY speed \* \* \* \* \* 000

6 Focus \* \* \* \* \* 000

7 rotating mirror \* \* \* \* \* 000

8 Dimming \* \* \* \* \* 000

9 Strobe \* \* \* \* \* 000

10 Foreground Red \* \* \* \* \* 000

11 Foreground Green \* \* \* \* \* 000

12 foreground blue \* \* \* \* \* 000

13 Foreground white \* \* \* \* \* 000

14 Color temperature \* \* \* \* \* 000

15 Stain \* \* \* \* \* 000

16 Fade \* \* \* \* \* 000

17 Pattern \* \* \* \* \* 000

19 Gif \* \* \* \* \* 000

20 Speed \* \* \* \* \* 000

21 Background Red \* \* \* \* \* 000

22 Background green \* \* \* \* \* 000

23 Background blue \* \* \* \* \* 000

24 Background white \* \* \* \* \* 000

25 Reset \* \* \* \* \* 000

### **3 Explicit setting**

1. Select the Chinese language, confirm the modification by pressing the confirmation key, select the language by pressing the up and down keys, confirm again, and return to exit.
2. Turn off the reverse display setting, confirm the modification by pressing the confirmation key, press the up and down keys to open, confirm again, and return to exit.
3. When the backlight setting is turned off, confirm the modification by pressing the confirmation key, press the up and down keys to turn it on, confirm again, and return to exit.

4 Software version-088B

### **5 Factory settings (password 138)**

#### **Calibration**

1X Calibration 128 Confirm the modification by pressing the Enter key, then select the appropriate channel value up and down, confirm again, and return to exit



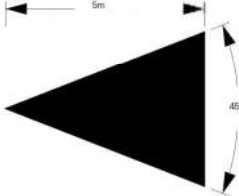


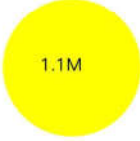
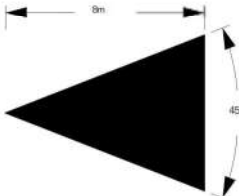

2Y Calibration 128 Confirm the modification by pressing the Enter key, select the appropriate channel value up and down, confirm again, and return to exit.

3 Focus 128 Confirm the modification through the confirmation key, then select the appropriate channel value up and down, confirm again, and return to exit.

- 4 Red 220 Confirm the modification through the confirmation key, then select the appropriate channel value up and down, confirm again, and return to exit.
- 5 Green 220 Confirm the modification through the confirmation key, then select the appropriate channel value up and down, confirm again, and return to exit.
- 6 Blue 220 Confirm the modification through the confirmation key, then select the appropriate channel value up and down, confirm again, and return to exit.
- 7 White 220 Confirm the modification through the confirmation key, then select the appropriate channel value up and down, confirm again, and return to exit.
- 8 LOGO 000 Confirm first through the left function key, then select the appropriate LOGO up and down, confirm again, and return to exit
9. Confirm the modification of current 004 through the confirmation key, select the appropriate channel value up and down, confirm again, and return to exit.
- 10 Speed 004 Confirm the modification through the confirmation key, then select the appropriate channel value up and down, confirm again, and return to exit.
11. When the fan is closed, confirm the modification with the confirmation key, and then select the appropriate channel value up and down, confirm again, and return to exit.
- 12 Temperature 65 Confirm the modification through the confirmation key, then select the appropriate channel value up and down, confirm again, and return to exit.
- 13 Temperature-Fan off Confirm the modification with the confirmation key, select the appropriate channel value up and down, confirm again, and return to exit.

## **9.Lumen value**

## 19PCS40W Lumens

Luminous value	Projection angle (°)	Aperture diameter (m)
R-LUX@5260 G-LUX@4295 B-LUX@3715 W-LUX@6885 RGBW-LUX@17530		
R-LuX@315 G-LUX@253 B-LUX@211 W-LUX@393 RGBW-LUX@975		
R-LUX@1980 G-LUX@1600 B-LuX@1385 W-LUX@2450 RGBW-LUX@6150		
R-LUX@140 G-LUX@105 B-luX@95 W-LUX@165 RGBW-LUX@395		

## 10. Product characteristics

Voltage: AC90-240v 50-60HZ

Total power: 800W

Light source: 19 4-in-1 40 W high-brightness lamp beads

Beam angle: 4-45 °

Strobe: 1-25 times/second with multiple strobe effects

Dimming: 0-100% linear dimming.

Channel: Built-in 3 channel modes 23 CH/25 CH/101 CH

Control: DMX512, self-propelled, voice control,

Horizontal scanning: 540 degrees + 16 bit fine adjustment,

Vertical scanning: 250 degrees + 16 bit fine adjustment

Display screen: Chinese and English display

Network card (optional)

Net weight: 15 KG

Packing size: 530 \* 420 \* 510mm (1 set/carton), gross weight: 19 KG

700 \* 460 \* 700 mm (2 sets/air box), gross weight 56KG

Characteristic

1. Each lamp bead can be controlled individually.
2. The unique honeycomb design of the lens can be infinitely rotated to bring a variety of fantastic effects.

## **11. Product maintenance and cleaning**

Please pay attention to the following points when testing this product:

1. All screws and parts for installing the product must be tightly connected without rust.
2. The shell, lens, fixed parts and installation site (such as ceiling, hanger, truss, etc.) shall not be deformed.
3. Mechanical moving parts shall not be worn and shall not rotate in balance.
4. The power cord shall be free of any damage, material damage or scar, etc.

The installation and use of the product must be carried out by trained professional technicians to ensure that potential safety hazards are eliminated.

In order to maintain the product in good condition and prolong its service life, we recommend regular cleaning of the product.

1. Clean the outer lens and inner lens of the product every week to prevent the light output of the product from being reduced due to dust accumulation on the lens.
2. Clean the fan every week.
3. Every three months, a professional electrical engineer will conduct a detailed circuit inspection of the product to ensure that the circuit contacts are in good condition, so as to prevent the aging of the circuit contacts due to overheating.

We recommend that the product should be cleaned regularly, please be careful not to use damp or linen, and never use alcohol or solvents for cleaning.

This product is not equipped with replacement parts, refer to the Installation Instructions section.

If you need any spare parts, please purchase them from your local dealer.

